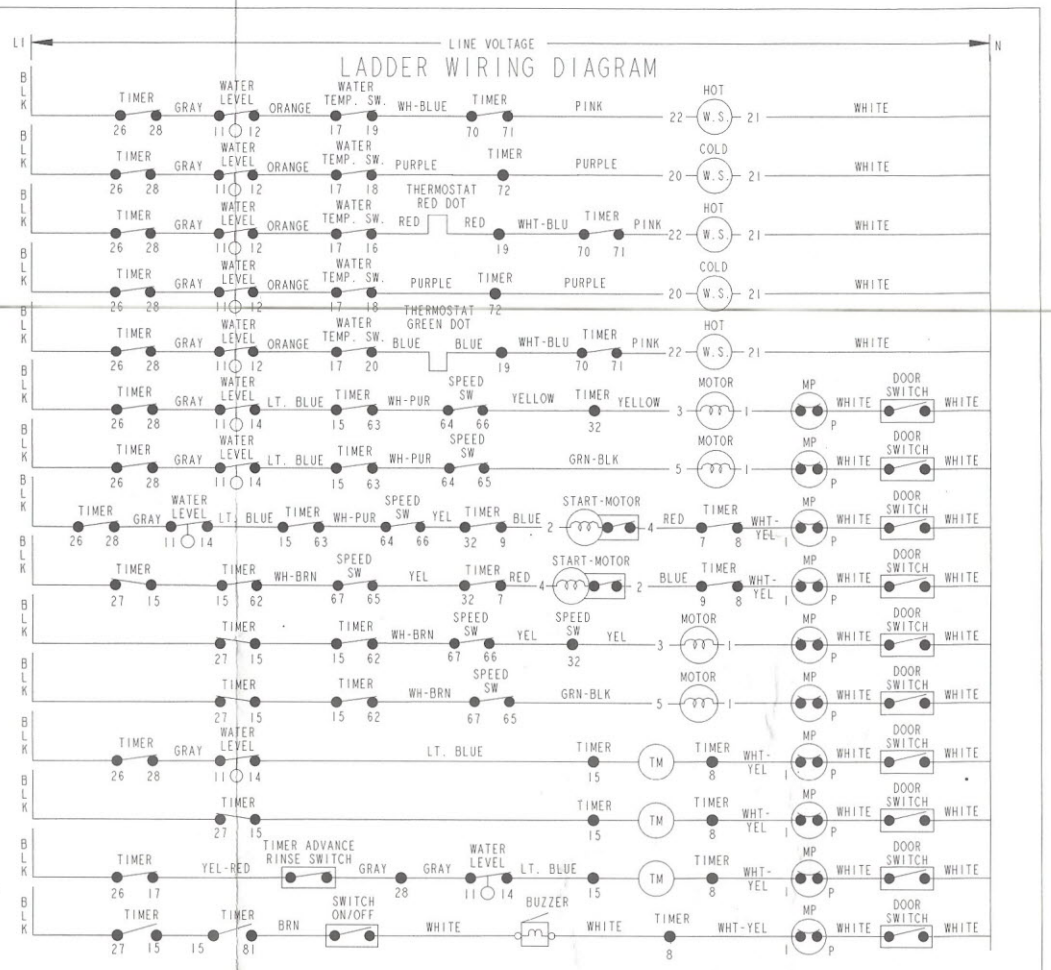
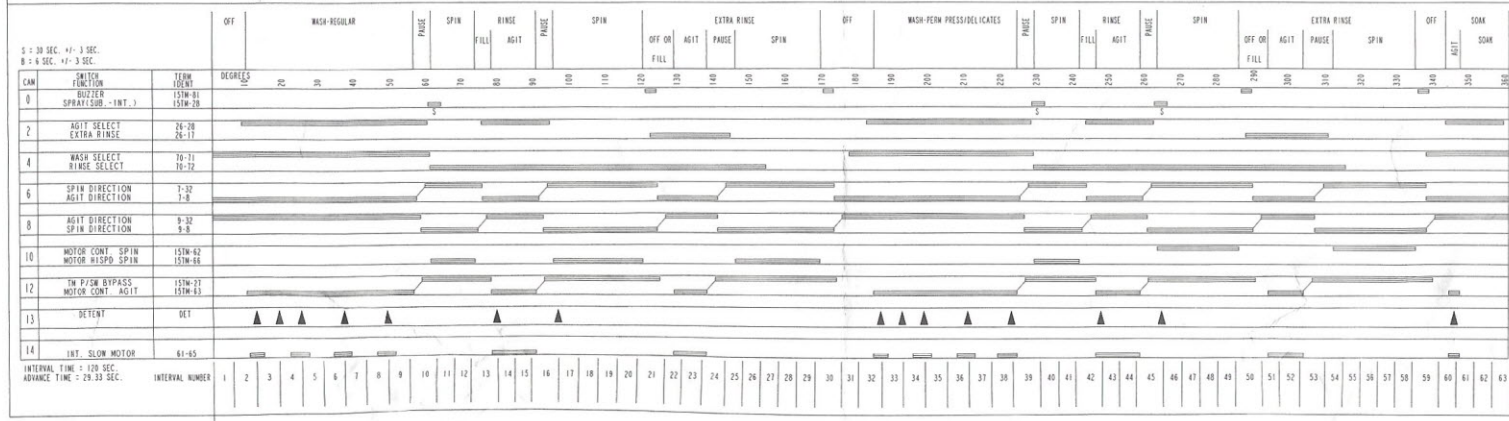


SPEED SELECTOR SWITCH	
WASH SPEEDS	
POSITION	CIRCUIT
N-N	64-66 67-66
N-S	64-66 67-65
S-S	65-44-67
X-S-S	64-63 65-67

WATER SELECTOR SWITCH	
POSITION	CIRCUIT
H-C	17-19
ATC-C	17-16-18
ATCC-C	17-18-20
C-C	17-18

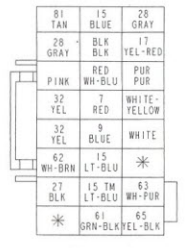
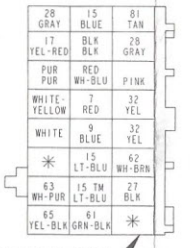
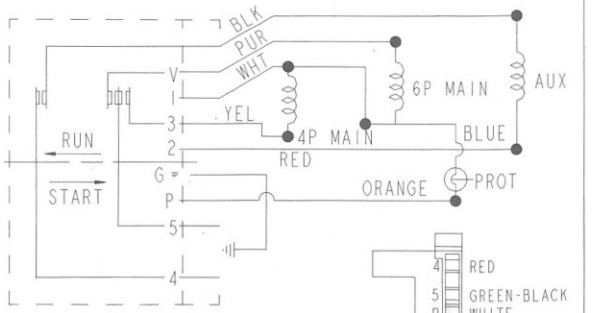
COVERED BY ONE OR MORE OF THE FOLLOWING PATENTS
 3,057,218 3,588,018
 3,267,703 3,598,460
 3,388,568 3,612,995
 3,390,554 3,762,608
 3,536,412 3,899,320
 4,914,781 4,949,923

SWITCH AND TIMER SEQUENCE
 TO CHANGE TIMER POSITION PUSH KNOB IN AND TURN CLOCKWISE (ALL TIMER CONTACTS WILL OPEN)



2205198 "A"

*CAPACITOR USED WITH ALTERNATE CAPACITOR START MOTOR



FRONT TIMER PLATE
 * = NOT USED

HARNESS PLUG CONNECTOR END

MOTOR TERMINALS

**CAUTION: DISCONNECT POWER BEFORE SERVICING
 KEEP CLEAR OF SPINNING POWER UNIT**